

CUSTOM QUOTE FORM

COMPANY INFORMATION:

Company Name: _____ Contact Name: _____
 Address: _____ E-Mail Address: _____
 City: _____ State: _____ Zip Code: _____
 Phone #: _____ Ext #: _____ Fax #: _____
 Distributor: _____

**We also customize strikes, kick plates and push plates.
 Fax or email a drawing and we will return a quote to you.**

FINISH

Check Box For The Desired Finish

US3 Polished Brass
 US4 Satin Brass
 US5 Antique Brass
 US10 Satin Bronze
 US32D Satin Stainless Steel
 US32 Polished Stainless Steel
 US10B Oil Rubbed Bronze
 OTHER

LOCK & DOOR

Quantity: _____

Lock Description: _____

Full Channel
 Flat Plate

1

1-1/8"
 X
 2-1/4"
 STANDARD
 RECESSED

2

FLAT
 FACED

3

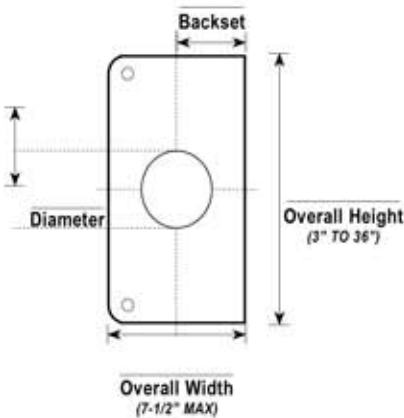
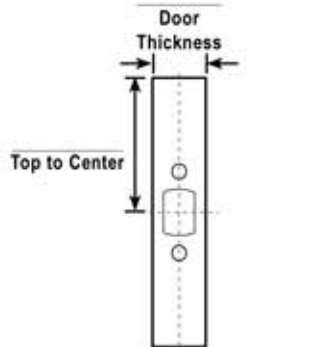
1-1/4"
 X
 8"
 MORTISE

4

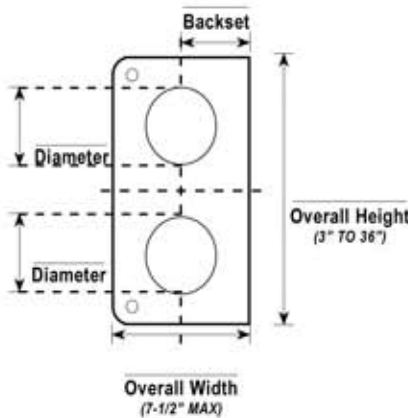
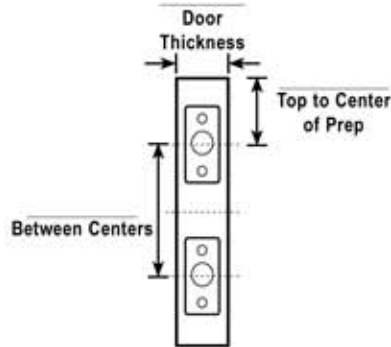
OTHER

PLEASE FILL OUT ALL MEASUREMENTS SO YOUR QUOTATION WILL NOT BE DELAYED

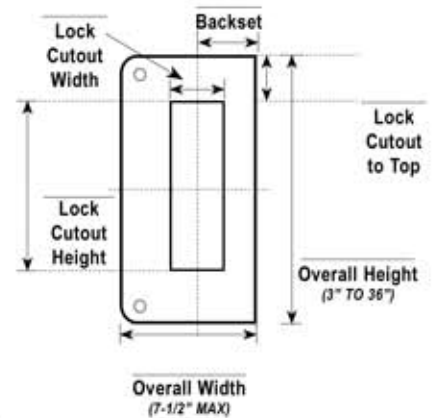
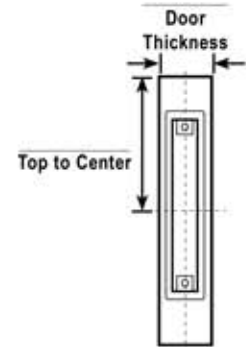
SINGLE HOLE



DOUBLE HOLE



MORTISE



**Contact Us for More Information: Toll FREE: 800-624-9942, Tel: 949-419-1415, Fax: 949-419-1414
 E-mail: INFO@MAGMFG.COM or visit us on the web at WWW.MAGMFG.COM**